

RS-3130 1.3MPx IP Wi-Fi® Desktop IR Camera



OVERVIEW

The Côr Home Automation IP Megapixel Wi-Fi Desktop IR Camera brings state-of-the-art, high-definition images to the residential security segment. Designed specifically for use with the Côr Home Automation series of smart products, this camera offers live video and clip recording that can be triggered by an intrusion event and managed through the Côr Home Automation mobile application.

This Wi-Fi camera is based on the Wi-Fi standards of IEEE802.11b/g/n and operates in the 2.4Ghz range. Transmission rates of up to 150Mbps are supported and secure wireless communication is achieved via 64/128-bit WEP, WPA/WPA2 and WPA-PSK/WPA2-PSK, and WPS wireless encryption standards.

Setup is simplified using an integrated browser. Onboard storage via micro SD card adds recorded clips without the need of NVR's or cloud storage.

The Côr Home Automation IP Megapixel Desktop Camera is designed specifically for indoor residential applications and can be mounted on a tabletop or ceiling/wall using the included hardware.

STANDARD FEATURES

Video

- 1.3MPx resolution
- H.264 compression technology with dual-streaming capability accommodates multiple settings
- Compatible with Côr Home Automation Series products

Video Enhancement

- DWDR and/or real-time video streaming up to 720p resolution to capture every detail
- True day/night functionality and infrared illuminator for capturing images in various lighting scenarios
- Up to 33 ft. (10m) IR range - with on/off settings

Video Alarms (utilizing hardwired outputs)

- Motion detection, tamper proof and privacy masking
- Advanced cross line and Intrusion detection

Recorded Clips

- Recorded Clips stored on board using a micro SD/SDXC card (up to 64GB). 8GB card included

Wireless (Wi-Fi)

- Supports IEEE802.11b/g/n Wi-Fi standards
- Frequency range 2.4 GHz
- Encryption security support for 64/128-bit WEP, WPA/WPA2, WPA-PSK/WPA2-PSK, WPS standards



Environment and Installation

- FCC, CE and UL
- Fast and simple integration into Côr Home Automation app using camera scan feature

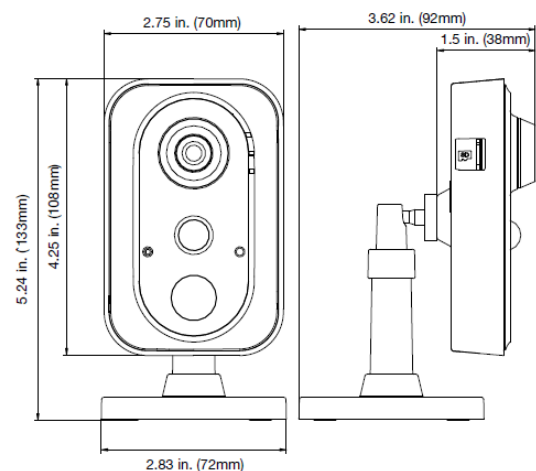
Warranty

- 3-Year warranty

ORDERING INFORMATION

RS-3130 Côr Home Automation Compatible, 1.3 MPx, NTSC/PAL, Wi-Fi, Indoor IR Desktop, White, True D/N, H.264, PSIA/ONVIF/CGI, Audio, 10m IR, 2.8mm @ f2.0, PoE/12VDC, US Power Supply and 8GB Micro SD Card Included

DIMENSIONAL DIAGRAMS



SPECIFICATIONS

	Part No.	RS-3130
Housing	Color	White
Camera	Sensor	1/3" Progressive Scan CMOS sensor
	Resolution	1.3MPx
	Day/Night	IR cut filter with auto-switch
	IP Compression	H.264 (Main profile) / MJPEG
	Maximum Resolution (@fps)	1280 x 960 @ 30fps (60Hz), 1280x960 @ 25fps (50Hz)
	Maximum Real-Time Resolution (@fps)	1280 x 960 @ 30fps (60Hz), 1280x960 @ 25fps (50Hz)
	Multiple Streaming	Support dual streams, and sub-stream for mobile surveillance with H.264 and MJPEG with resolution up to 4CIF
	Video bit Rate Mainstream	128 Kbps to 12 Mbps
	Video Bit Rate Substream	128 Kbps to 8 Mbps
	WDR	DWDR (72dB)
	Digital Noise Reduction	3D-NR
	Sensitivity	0.01 lux @ (f1.2, AGC ON), 0 lux @ (IR ON)
	S/N Ratio	50dB (AGC OFF)
	Auto Exposure (shutter)	60 Hz: 1/3s - 1/100,000s, 50 Hz: 1/3s - 1/100,000s
	Lens	2.8mm @ f2.0
	Focus	Fixed
IR Range	Non-visible IR LED with 10 meters	
IR Wavelength	850nm	
Stnds. & Integ.		Compatible with Côr Home Automation products
Network	Network Protocols	TCP/IP, ICMP, HTTP, HTTPS, FTP, DHCP, DNS, DDNS, RTP, RTSP, RTCP, PPPoE, NTP, UPnP, SMTP, SNMP, IGMP, Qos, IPv6. Interoperability Onvif (V2.2), PSIA (latest version), CGI, ISAPI
	Ethernet Port	RJ45 10 /100Mbps Auto-negotiate
Wireless	Wi-Fi Standards	IEEE802.11b, 802.11g, 802.11n
	Frequency Range	2.4 GHz - 2.4835 GHz (Ch. 1-11)
	Channel Bandwidth	20/40Mhz Support
	Protocols	802.11b:CCK, QPSK, BPSK; 802.11 g/n: OFDM
	Transmit Output Power	11b: 17±1.5dBm @ 11Mbps; 11g: 14±1.5dBm @ 54Mbps; 11n: 12.5±1.5dBm
	Transfer Rates	11b: -90dBm @ 11Mbps (Typical); 11g: -75dBm @ 54Mbps (Typical); 11n: -74dBm (Typical)
	Wi-Fi Range	- 164 ft. (50m) in direct line-of sight applications
Security	64/128-bit WEP, WPA/WPA2, WPA-PSK/WPA2-PSK, WPS	
Local Storage	Media	Micro SD/SDXC (8GB card included)
	Capacity	Up to 64GB
Audio	Input	Built-in
	Output	Built-in
	Audio Bit Rate (Protocol)	64 Kbps (G.711) / 16 Kbps (G.726) / 32-128 Kbps (MP2L2)
Camera Alarms	Basic	Motion Detection, Tamper Proof, Privacy Mask
	Advanced	Cross line, Intrusion detection
	I/O Connection	Alarm I/O
Display	Display mode	Flipped horizontally (up/down), vertically (right/left) or centered, Hallway view, ROI (Region of Interest)
	On Screen display (OSD)	Text overlay
Electrical & Mechanical	Voltage	12VDC, PoE (IEEE 802.3-af), Power Supply included
	Current	420mA (Max.)
	Power Consumption	5.9W (Max.)
	Dimensions (W X H X D)	4.25 x 2.75 x 1.5 in. (108 x 70 x 38mm)
	Weight	0.5 lbs. (213g)
Envir.	Storage Temperature	-4°F - 158°F (-20°C - 70°C)
	Operating Temperature	-22°F - 140°F (-30°C - 60°C)
Reg.	Compliance	R&TTE, FCC, CE, UL, RCM, REACH, RoHS, WEEE

Côr Home Automation
 7310 West Morris Street
 Indianapolis, IN 46231
www.corhomeautomation.com
 (844) My-Côr-Home or (844) 692-6746

Côr Home Automation is not responsible for products and services offered by other companies.
 The images, product information and specifications listed in this document are subject to change.